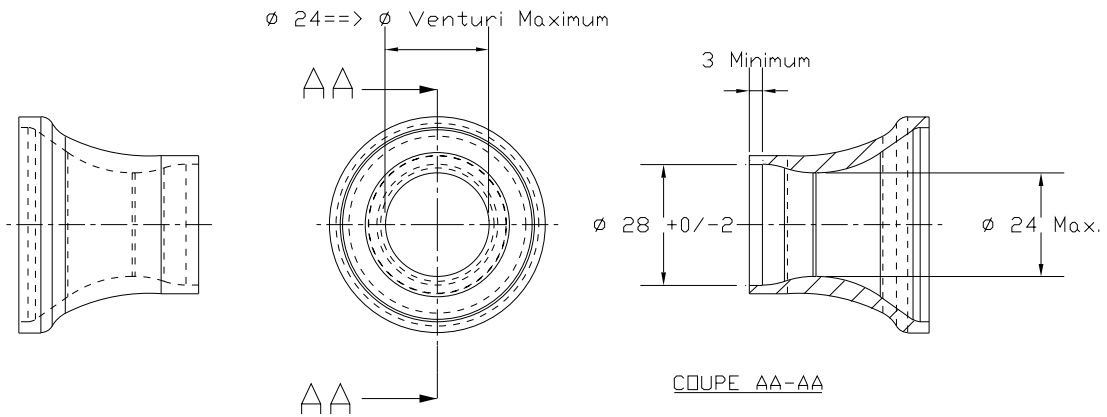


DESSIN TECHNIQUE N°3

TECHNICAL DRAWING No. 3

3- Carburateur

3- Carburettor



Cotes en/Dimensions in mm