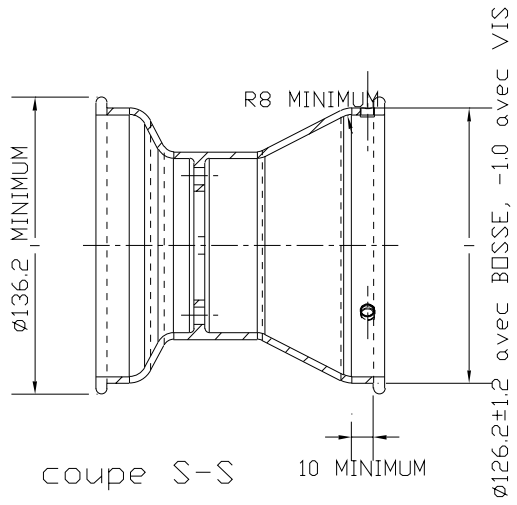
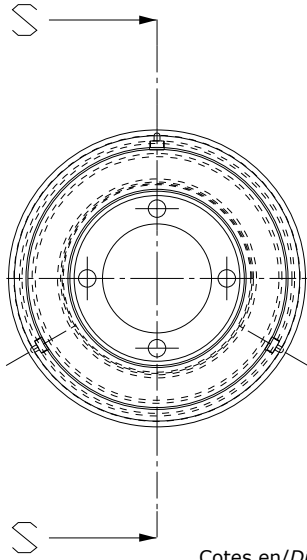


DESSIN TECHNIQUE N°4

TECHNICAL DRAWING No. 4

4- Jante 5"

4- 5" Rim



Cotes en/Dimensions in mm