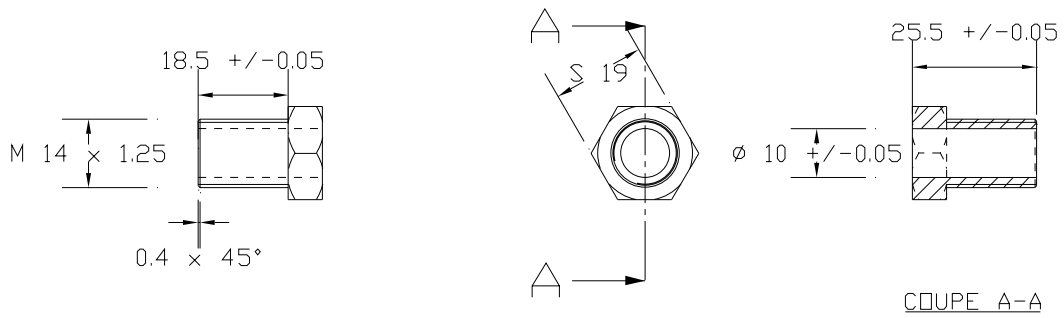


DESSIN TECHNIQUE N°6

TECHNICAL DRAWING No. 6

6- Insert de bougie

6- Spark plug insert



$$\text{Volume Insert} = \pi \times 1 \times 2.55 / 4 = 2 \text{ cm}^3/\text{cc}$$

Cotes en/Dimensions in **mm**