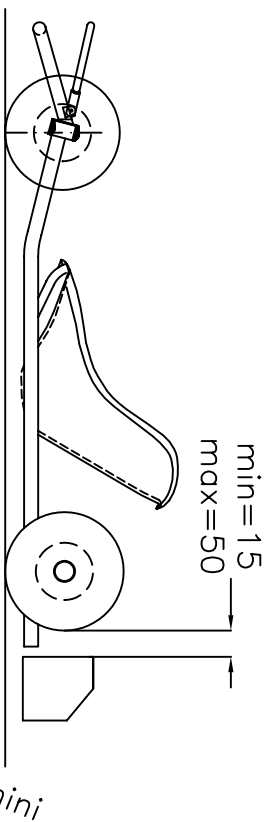


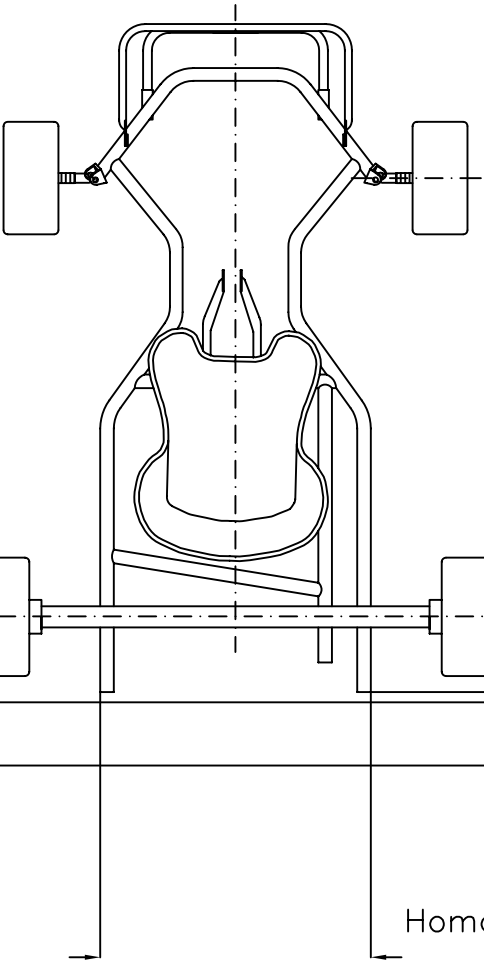
min=1340
max=overall rear width

Vertical surface 0°/-5°



210 +/-15

Homologated dimension F
min=620
max=700



31.12.2005

DRAWING 2c
REAR PROTECTION 2006

* Dimensions in mm