

Weight 345 +/-15 GR

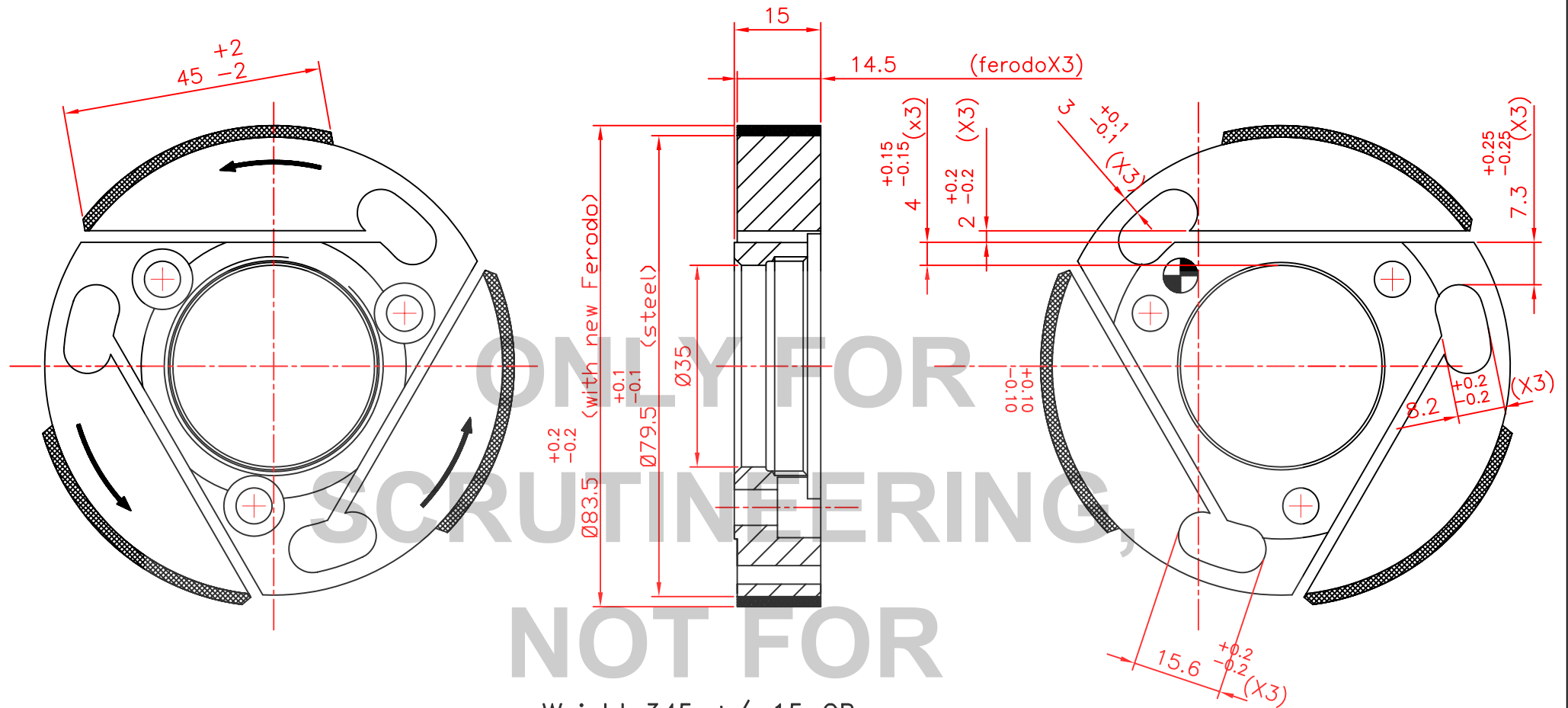
NOT FOR
MANUFACTURING !!!



Control dimensions for KF engine clutch
with external sprocket



	Proj.: DT 15 bis	CLOCKWISE	Rev.: --
App.: LA	Date: 10/02/09	File: 2009 Control Clockwise KF Clutch.dwg	



Weight 345 +/-15 GR

ONLY FOR
SCRUTINEERING,
NOT FOR
MANUFACTURING !!!



Control dimensions for KF engine clutch
with internal sprocket



	Proj.: DT 15 bis	ANTICLOCKWISE	Rev.:
App.: LA	Date: 03/02/09	File: 2009 Control Anticlockwise KF Clutch.dwg	--