

# I A M E

**Parilla PUMA 85cc - TaG - Portugal**

**CARBURETTOR / CARBURATEUR**

**Tillotson HL 352A**

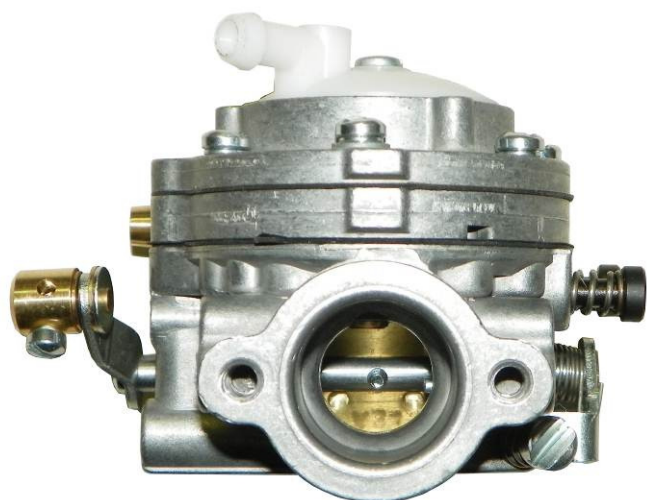


PHOTO OF INLET SIDE  
*PHOTO CÔTÉ ASPIRATION*

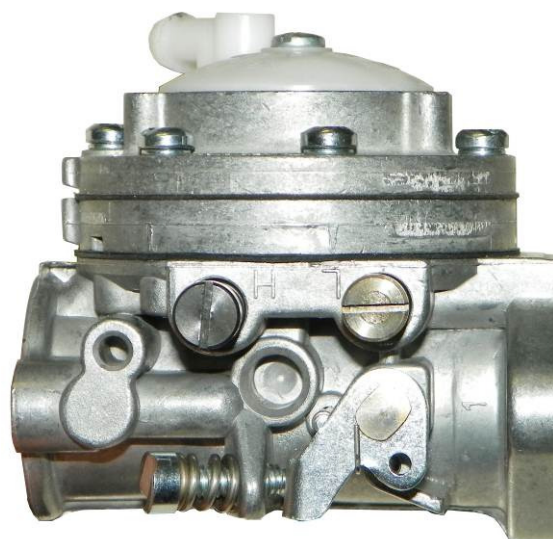
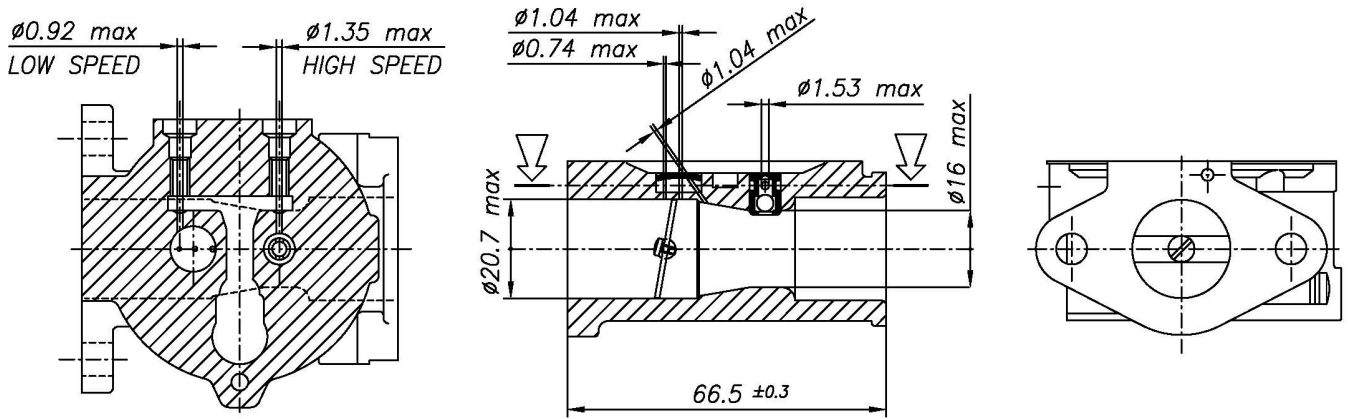


PHOTO OF ADJUSTING SIDE  
*PHOTO CÔTÉ RÉGLAGE*

|                                     |                       |
|-------------------------------------|-----------------------|
| Manufacturer<br><i>Constructeur</i> | <b>TILLOTSON LTD.</b> |
| Make<br><i>Marque</i>               | <b>TILLOTSON</b>      |
| Model<br><i>Modèle</i>              | <b>HL 352A</b>        |

## SECTION VIEW / VUE EN SECTION



## CARBURETTOR DESCRIPTION AND SKETCH OF PARTS DESCRIPTION DU CARBURATEUR ET ESQUISSE DES PIÈCES

| Rif. | PART DESCRIPTION                | DESCRIPTION DE LA PIÈCE            |
|------|---------------------------------|------------------------------------|
| 1    | COVER SCREW                     | VIS COUVERCLE                      |
| 2    | FILTER COVER                    | COUVERCLE FILTRE                   |
| 3    | COVER GASKET                    | JOINT COUVERCLE                    |
| 4    | FUEL SCREEN FILTER              | FILTRE CARBURANT                   |
| 5    | BODY SCREW                      | VIS CORPS CARBURATEUR              |
| 6    | VALVE BODY                      | CORPS VALVE                        |
| 7    | PUMP DIAPHRAGM                  | MEMBRANE POMPE                     |
| 8    | PUMP DIAPHRAGM GASKET           | JOINT MEMBRANE POMPE               |
| 9    | PUMP BODY                       | CORPS POMPE                        |
| 10   | DIAPHRAGM                       | MEMBRANE PRINCIPALE                |
| 11   | DIAPHRAGM GASKET                | JOINT MEMBRANE PRINCIP.            |
| 12   | NEEDLE LOW SPEED                | VIS REGLAGE MINIMUM                |
| 13   | NEEDLE SPRING                   | RESSORT VIS REGLAGE                |
| 14   | NEEDLE WASHER                   | RONDELLE VIS REGLAGE               |
| 15   | NEEDLE O-RING                   | ANNEAU VIS REGLAGE                 |
| 16   | NEEDLE HIGH SPEED               | VIS REGLAGE MAXIMUM                |
| 17   | SCREW LEVER                     | VIS LEVIER                         |
| 18A  | SEAT & NEEDLE VALVE ASSEMBLY    | SIEGE ET POINTEAU ASSEMBLE         |
| 18C  | SEAT GASKET VALVE               | JOINT DU SIEGE                     |
| 18D  | WELCH PLUG                      | BOUCHON D'ETANCHAEITE              |
| 19   | LEVER PIN                       | AXE                                |
| 20   | INLET LEVER                     | LEVIER                             |
| 21   | INLET LEVER SPRING              | RESSORT LEVIER                     |
| 22   | THROTTLE SHUTTER SCREW          | VIS FIXATION PAPILLON              |
| 23   | THROTTLE SHUTTER                | PAPILLON CARBURATEUR               |
| 24   | THROTTLE SHAFT CLIP             | ARRET D'AXE PAPILLON               |
| 25   | THR. SHAFT CLIP RETAINING SCREW | VIS D'ARRET D'AXE DE PAPILLON      |
| 26   | SHAFT SHUTTER                   | AXE COMPLET PAPILLON               |
| 27   | SHAFT SPRING                    | RESSORT RENVOI AXE                 |
| 28   | SWIVEL SCREW                    | VIS D'AXE                          |
| 29   | BRACKET SCREW                   | VIS FIXATION ETRIER                |
| 30   | THROTTLE LEVER ASSEMBLY         | LEVIER COMPLET D'AXE DE PAPILLON   |
| 31   | LIMITER SCREW                   | VIS DE REGLAGE RALLENTI            |
| 32   | LIMITER SCREW SPRING            | RESSORT DE VIS DE REGLAGE RALLENTI |

